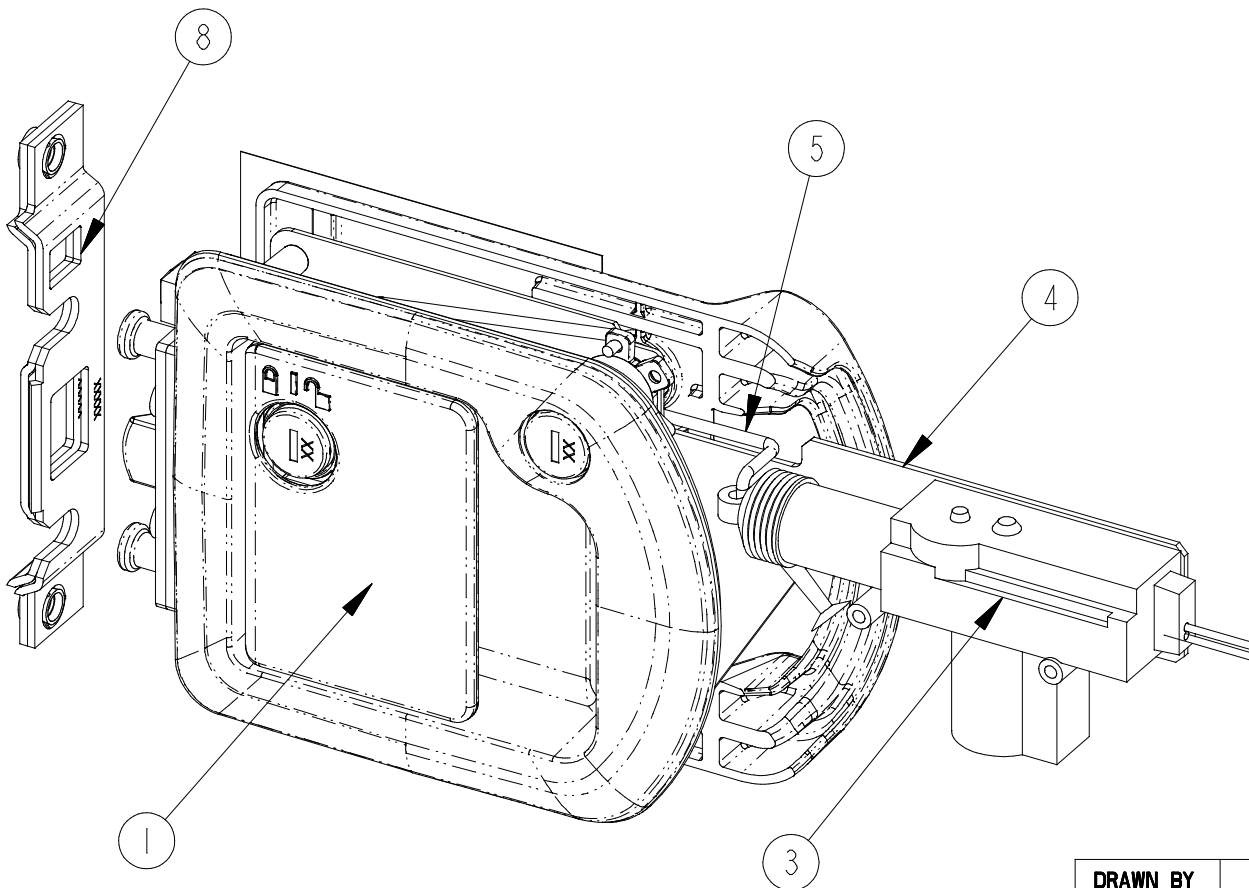


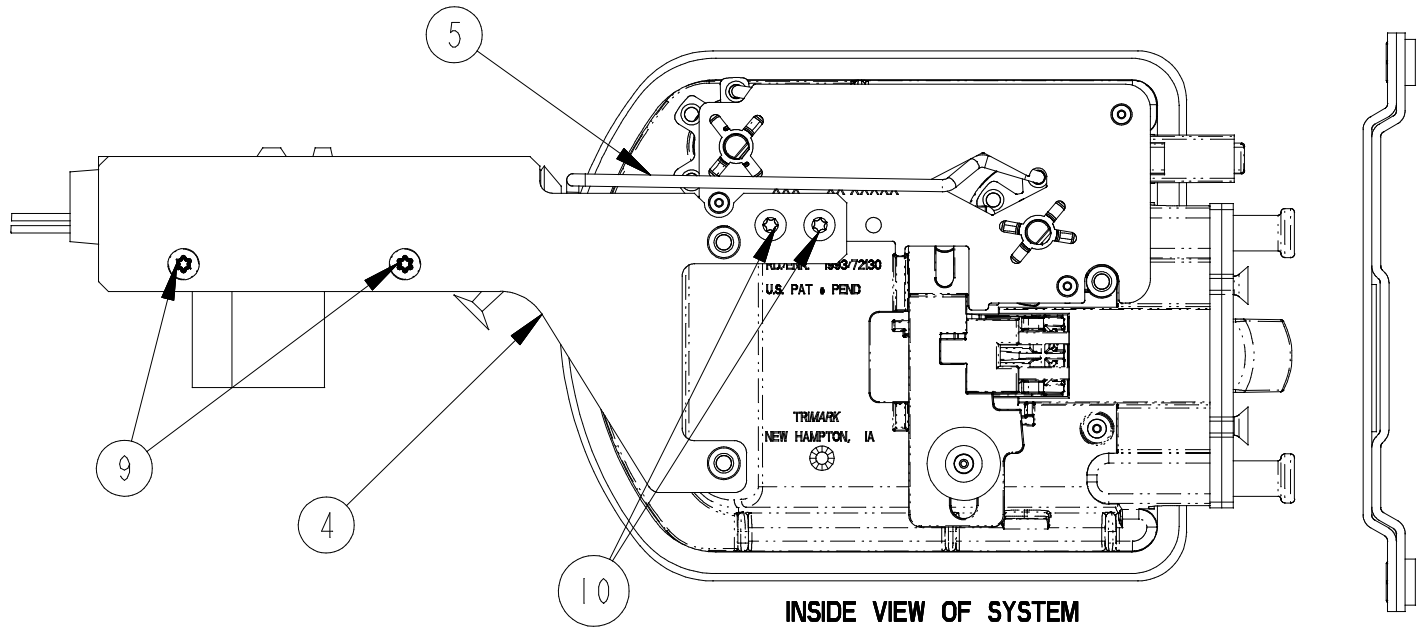
2	10	15554-01	POWER BRACKET MOUNT FASTENERS	2
	9	19935-02	POWER ACTUATOR MOUNT FASTENERS	2
	8	12156-15	STRIKE ASSEMBLY	1
	7	22030-01	DOOR EDGE MOUNT FASTENERS	2
	6	22029-01	INSIDE/OUTSIDE MOUNT FASTENERS	3
	5	34218-01	POWER LOCK ROD	1
	4	34217-01	POWER ACTUATOR MOUNT BRACKET	1
1	3	19062-XX	POWER ACTUATOR	1
	2	31073-02, -03, -05	INSIDE ASSEMBLY	1
	1	29412-01 THRU -13	OUTSIDE ASSEMBLY	1
<b>NON-DEADBOLT POWER (MANUAL DEADBOLT OPERATION)</b>				



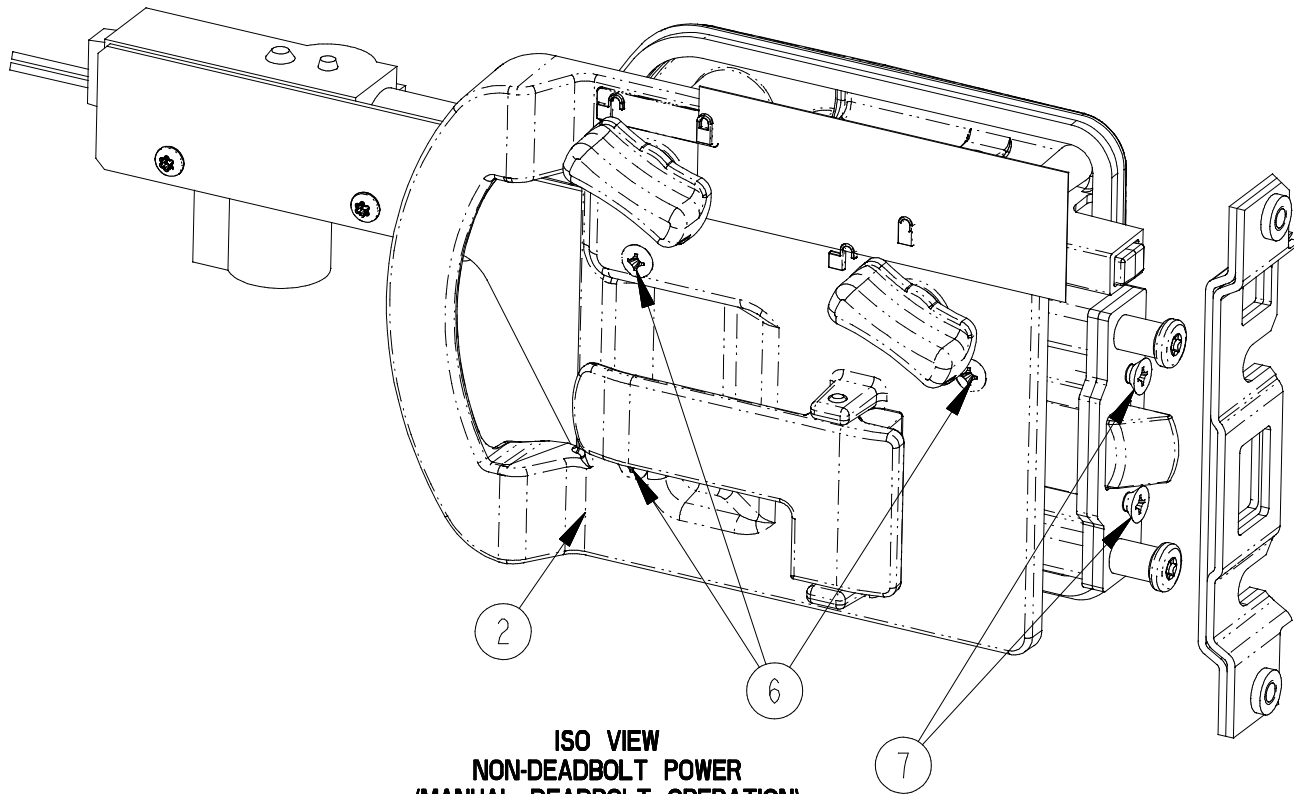
ISO VIEW  
NON-DEADBOLT POWER  
(MANUAL DEADBOLT OPERATION)

DRAWN BY		
CHK'D BY		
RLSE DATE		

TYPICAL APPLICATION	
SCALE	DESCRIPTION
0.5	060-1650, 060-1625, TYPICAL APPLICATIONS
SIZE	
A	
REVISION	PART NUMBER
	TY060-1650A



INSIDE VIEW OF SYSTEM  
NON-DEADBOLT POWER  
(MANUAL DEADBOLT OPERATION)



ISO VIEW  
NON-DEADBOLT POWER  
(MANUAL DEADBOLT OPERATION)

DRAWN BY		
CHK'D BY		
RLSE DATE		

**TYPICAL APPLICATION**

SCALE	DESCRIPTION
0.5	060-1650, 060-1625, TYPICAL APPLICATIONS
SIZE	
<b>A</b>	
REVISION	PART NUMBER
	TY060-1650A

4. SET THE END OF THE ROD INTO THE HOLE OF THE POST ACTUATOR AND ROTATE CLOCKWISE UNTIL ROD IS APPROXIMATELY HORIZONTAL

3. PUT THE ROD AT THIS APPROXIMATE ANGLE

1. ASSEMBLE THE POWER ACTUATOR TO THE ROD AS SHOWN

2. MAKE SURE THE LOCK IS IN UNLOCKED POSITION (BLACK LOCK ARM IS PUSHED AS FAR DOWN AS POSSIBLE).

7. FASTEN POWER ACTUATOR TO POWER MOUNT BRACKET

5. WHEN ROD IS APPROXIMATELY HORIZONTAL, SET POWER MOUNT BRACKET IN PLACE OVER OUTSIDE HOUSING BOSSES

6. FASTEN POWER MOUNT BRACKET IN PLACE AS SHOWN

**STEP BY STEP INSTRUCTIONS FOR INSTALLING COMPONENTS FOR NON-DEADBOLT POWER**

DRAWN BY	
CHK'D BY	
RLSE DATE	

**TYPICAL APPLICATION**

SCALE	DESCRIPTION
0.5	060-1650, 060-1625, TYPICAL APPLICATIONS
SIZE	
<b>A</b>	REVISION
	PART NUMBER TY060-1650A